

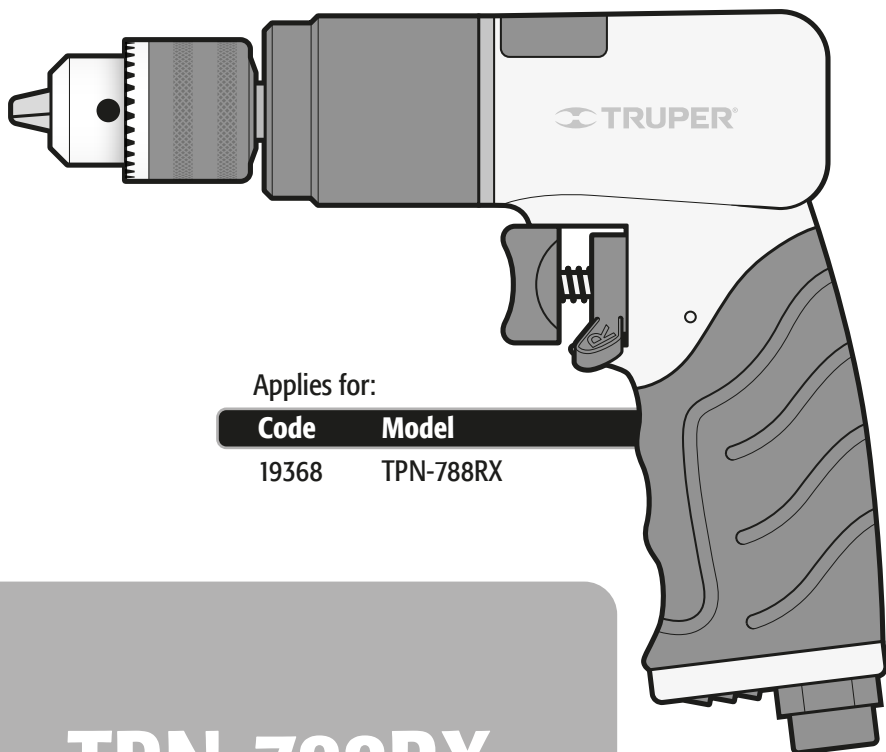


Manual

Reversible Air Drill

3/8"

Chuck



Applies for:

Code	Model
19368	TPN-788RX

TPN-788RX



! WARNING

Use oil continuously and dosed to lubricate the tool.

! CAUTION

Read this manual thoroughly before using the tool.



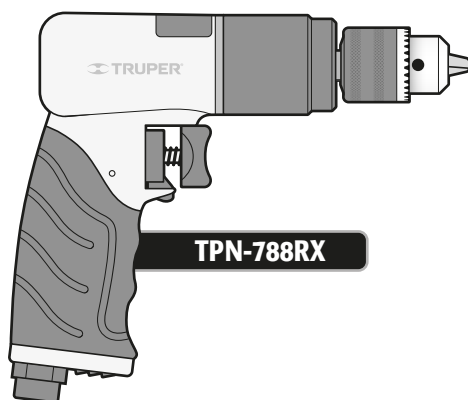
Technical data.....	3
Filtering and lubrication requirements	3
 General safety warnings for pneumatic tools	4
 Risk control when using pneumatic tools.....	5
Parts.....	7
Assembly	7
Star up	8
Maintenance.....	8
Authorized service centers	9
Warranty policy.....	10

 CAUTION

To gain the best performance of the tool, prolong the duty life, make the Warranty valid if necessary, and to avoid hazards of fatal injuries please read and understand this Manual before using the tool.

Keep this manual for future references.

The illustrations in this manual are for reference only. They might be different from the real tool.



Technical Data


 **TRUPER®**

TPN-788RX

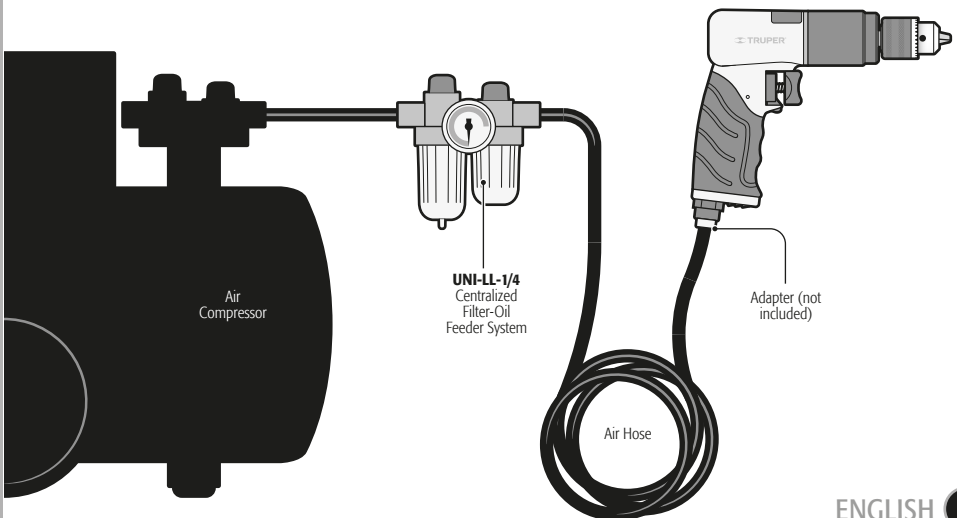
Code	•	19368
Description	•	Reversible air drill
Chuck	•	3/8"
Air Output	•	Bottom
Noise Level	•	83 dB
Vibration	•	> 2.5 m/s ²
Free Speed	•	1 800 RPM
Weight Without Accessories	•	2.42 lb
Total Length	•	6-7/8"
Air Pressure	•	90 PSI
Air Consumption	•	4 CFM
Air Input Connection	•	1/4 NPT
Hose Minimum Recommended Diameter	•	3/8"

CAUTION Please consider the increase in pressure in the line or the hose inside diameter to compensate the use of too long hoses (more than 26 ft). The hose minimum inside diameter shall be 3/8" and the connectors shall be 1/4 NPT. Use the right size and good quality couplers and accessories.

Filtering and Lubrication Requirements

CAUTION Dust, water and lack of oil specific for pneumatic tools are the main cause of potential flaws with the tool. We recommend installing a  **TRUPER** Brand **UNI-LL-1/4** centralized filter-oil feeder system. This system assures lubrication reducing 80% oil consumption significantly increasing the breathing air quality for the operator.

- The filter-oil feeder system must be regulated to administer 3 to 6 drops per minute.
- Drain the water in the air compressor tank and also condensation in the hoses before using the tool. Consult the air compressor instructions.



General Safety Warnings for Pneumatic Tools

Keep your work area clean, tidy and well lit.

CAUTION Cluttered and dark areas may cause accidents.



Never use the tool in explosive areas or in the presence of flammable liquids or with no ventilation.

DANGER Sparks the tool generates could trigger an explosion or start a fire.



Keep children and passersby at a safe distance while operating the tool.

WARNING Distractions can cause losing control and cause accidents.



Avoid making contact with power lines and circuits.

DANGER Find and avoid power lines and circuits, especially hidden wiring as well as any grounded object.



Stay alert, use care and common sense.

CAUTION Familiarity with the tool operation could lead to distractions while using it. It could cause accidents.



Refrain from using the tool if tired or under the influence of drugs, alcohol or medication.

DANGER Being momentarily distracted while using the tool could cause severe personal injury.



Operate the tool with guards and protection devices in place and in good working condition.

WARNING Failure to comply with this warning is a hazard of severe personal injury.



Securely fasten and support the work piece.

CAUTION Use brackets and a stable work surface.

Never force the tool.

CAUTION Working within the tool's working design assures a better and safer job.



Keep the tool in a safe place and out of the reach of children.

WARNING Power tools are dangerous to inexperienced people.



Wear proper clothes.

WARNING Loose clothes, jewelry or long hair could get caught in the mobile parts.



Keep hands away from rotating and/or mobile parts.

WARNING Failure to comply with this warning is a hazard of severe personal injuries or crushing.



Wear adequate protective safety accessories.

CAUTION Wear eye protection, dust mask, non-skid safety shoes, helmet and ear plugs. In normal conditions, the risk of injury is reduced.



Unplug the air hose from the tool before carrying out maintenance or replacing accessories.

WARNING Prevent accidental startups that cause accidents.



Refrain from operating the tool if the switch is not working or is not properly assembled.

WARNING Failure to comply with this warning is a hazard of personal injury. Immediately send it to a TRUPER Authorized Service Center.



Do not overreach.

CAUTION Good balance and support lead to better controlling the tool in unexpected situations.



Never pull the air hose.

WARNING Do not use it to carry or unplug the tool from the air outlet. Damaged or tangled hoses may burst and project residues towards the operator.



Prevent unintentionally starting the tool.

WARNING Double-check the motor is OFF before lubricating, setting up accessories or carry out maintenance.



Remove brackets before turning on the tool.

DANGER Additional tools or vices installed in a rotating part could cause severe personal injury.



Double-check maintenance and good working conditions before using the tool.

CAUTION Carefully check mobile parts, alignment and assembly. Do it periodically. Look for any damaged element or parts not working properly. Repair immediately in a TRUPER Authorized Service Center.



Accessories.

CAUTION Use only accessories or spare parts indicated in this Manual or certified by TRUPER.



Never leave a running tool unattended.


CAUTION Turn off and disconnect tool after using. Set it in a safe position to avoid severe injury.

Risk Control When Using Pneumatic Tools

Risk of injury in head and eyes

- ⚠ WARNING** • Compressed air out of pneumatic equipment may be dangerous. Objects like brackets, burrs, splinters, dust and other residues may be impelled towards head and eyes due to high speed of the air flow. The air flow itself can only injure soft tissue such as eyes, ears, etc.
- ⚠ CAUTION** • The tool attachments may get lose or break and project particles towards the operator or other operators in the work area.

To prevent head and eyes injuries

- Always, when operating pneumatic equipment wear protection glasses in compliance with the AMSI Z887.1 Standard. As additional protection, wear a mask. 
- Never aim the air flow towards people or animals.
- Disconnect the air hose from the tool when not in use.
- Never set a tool unattended when connected to the air outlet.
- Before using the tool verify all the parts and accessories are perfectly secured.

Risk of explosion

- ⚠ WARNING** • Incorrect handling of pressure in pneumatic equipment may cause an explosion causing severe injuries.


To prevent explosions

- Before using the tool double check the compressed air source is regulated to the tool specified pressure and must not exceed 1 380 kPa (200 PSI).

Risk of hearing loss

- ⚠ WARNING** • Being exposed long periods of time to noise pneumatic tools produce may damage hearing permanently causing hearing loss.


To prevent hearing loss

- Always, when operating pneumatic equipment wear hearing protection in compliance with the ANSI S3.19 Standard 

Risk of inhaling particles

- ⚠ WARNING** • Abrasive tools like grinders, sanders and cutting tools generate dust and particles that damage the lungs and respiratory system.
- Some materials like resin or adhesive are made with chemicals and the vapors emitted may cause serious damage if the operator is exposed for long periods of time.

To prevent inhaling particles

- Always wear a face mask or breathing device when operating these types of tools. 
- Always work in a clean, well ventilated area.

Risk of electric shock

- ⚠ WARNING** • Pneumatic tools do not have electric insulation. If during the operation, the tool makes contact with a source of electricity, the energy will be conducted to the operator causing a fatal electrocution.

To prevent electric shock

- Never use pneumatic tools to work energized electric wiring.
- Before operating the tool find the possible hidden wiring in the work zone to prevent making contact.
- Avoid contact with grounded surfaces like pipes, radiators or refrigerators. The risk of electrocution increases if the operator's body gets grounded.

Risk of damaging the tool

- ⚠ WARNING** • Pneumatic tools forced beyond the capacity and lacking of adequate lubrication or used to loosen rusted nuts (with impact guns) will get damaged and make the Warranty void.

To prevent damaging the tool

- Keep the tool duly lubricated.
- Do not force the tool.
- Apply "loose it all" liquid to rusted nuts or lugs before trying to loosen with the tool (impact gun).

Risk of injuries



⚠ WARNING • Damaged hoses may burst and cause serious injuries or deafness.

• Pneumatic tools connected to the compressed air source, if operated by untrained staff or underage people, will cause severe injuries.

• The compressed air used in pneumatic equipment may be dangerous. Objects like vices, burrs, splinters, dust and other residues may be impelled by the high-speed air flow towards the operator or other people in the work area.


• Using inflation nozzles to clean or torch blowing may cause severe injuries.

• Tools and accessories not suitable, damaged or low quality like grinding discs, chisels, contacts, drills, brad nailer, staplers, etc., may shoot out during the operation and project particles causing severe injuries.

• Brackets may get lose and be projected causing severe injuries or damage to property.

• Tools that accidentally start may cause severe injuries.

• Tools and accessories with no maintenance may cause severe injuries.

• Tools using accessories without  **TRUPER®** certification may cause severe injuries.

• Damaged or banded tools may cause severe injuries.

To prevent injuries

- Do not abuse the hose or the connectors.
- Keep the hose away from sharp or abrasive edges.
- Unplug the hose when setting up accessories like grinding discs or bits.
- Never use the hose to carry the tool.
- Never pull the hose to unplug it.
- Do not expose the hose to heat, oil or solvents.
- Before operating the tool, verify the hoses are not damaged.

• Unplug the air hose when the tool is not in use. Store the tool in a safe place away from children or untrained people. Keep children and untrained people away from the work area.

• Keep the work area clean, tidy and with good lighting.

• Remove any wrench or plier from the tool before operating.

• Do not use inflation nozzles to clean or to torch blowing.


• Use only parts, vices and accessories recommended by  **TRUPER®**.

• Double check all connections are correctly installed.

- Never carry the tool by the trigger.
- Disconnect the air hose out from the tool when not in use.
- Never leave the tool unattended when connected to the air outlet.

• Keep the tool handle clean and dry, free of oil or grease.

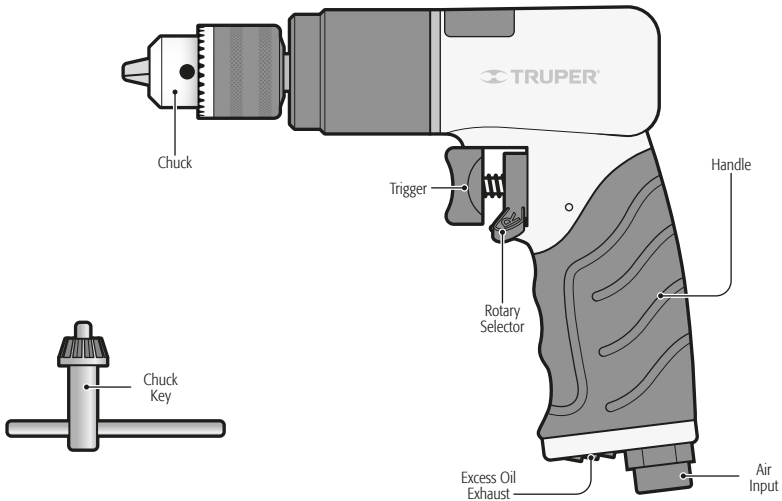
• Keep tools clean. A meticulously cleaned and oiled tool delivers a more effective performance and is easier to control.

• Any type of repair can only be carried out in a  **TRUPER®** Authorized Service Center.

• Use always accessories matching the tool speed.

• Use only  **TRUPER®** certified accessories.

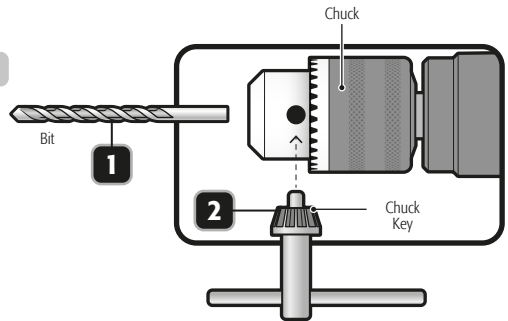
• Do not use damaged or banded tools.



Assembly

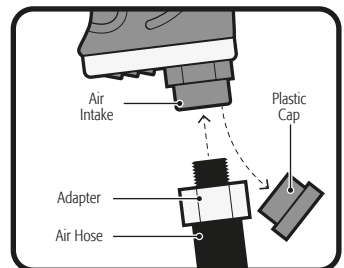
Bit Installation

- Set the bit into the chuck until it stops. Secure it with the chuck key tightening the chuck in each one of the orifices alternately.



Air intake connection

- Remove the plastic cap that covers the air inlet at the base of the handle.
- Connect the air hose to the tool using an adapter (not included) by screwing the adapter into the tool's air inlet.
- If working with different pneumatic tools and only one compressor, it is recommended to use a quick coupling (not included) together with the adapter to connect and disconnect the tools and interchange them easily.



Turning On

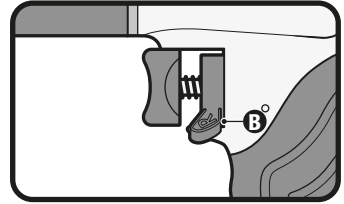
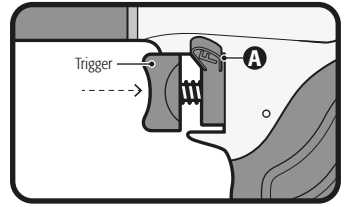
- Turn ON the compressor and let it fill up.
- Regulate the air compressor output pressure from 621 to 793 kPa (90 – 115 PSI).

⚠ WARNING The tool operates at this pressure range. Operating in the higher-pressure range will result in a shorter tool life.

- Press the trigger to make the chuck rotate.
- Release the trigger to stop the chuck.

Rotation Direction

- So that the drill bit rotates forward and can drill, move the rotation selector upwards into the "F" Forward direction (A).
- To rotate in reverse, move the rotation selector downwards into the "R" Reverse position (B).



Operation

- Locate the point to be drilled and mark it with a punch to give better support to the drill.
- Place the drill bit on the mark you made with the punch and press the trigger. Do not make contact with the point to be drilled with the moving drill. Do not press the trigger unless the tool is making contact with the work piece.
- Apply firm and constant pressure while drilling. Do not force the tool, otherwise it can get damaged.
- If making deep perforations retrieve the bit regularly to remove residues.

Maintenance

Lubrication

• Pneumatic tools need constant lubrication along their useful life and during the operation. The compressed air needed in the tool to run carry humidity which could oxidize the motor and bearing in the tool. To prevent this possibility, it is necessary to constantly deliver lubricating oil through a **TRUPER®** Brand **UNI-LL-1/4** centralized filter-oiler system installed between the air compressor and the tool.

⚠ WARNING • Any excess of oil in the motor is immediately expelled through the exceeding oil escape. Keep the escape free of obstructions and never point it towards people or objects.

- If not using the tool for long periods of time, it shall need to be lubricated with care.
- After 60 hours' operation, the tool mechanism need a little greasing. Excessive grease may diminish power.

Service


• Servicing the tool shall be carried out every 3 months only in a **TRUPER®** Authorized Service Center. Service and maintenance carried out by not certified people may be dangerous and can cause severe personal injuries as well as making the product Warranty void.

• Malfunction in the tool caused by no using the recommended dose of lubrication, or not complying with this Instructions, or repairs carried out by people not certified by **TRUPER®** will not be covered with the Warranty. We reserve the right to carry out technical improvements without notice.

In the event of any problem contacting a Truper Authorized Service Center, please see our webpage www.truper.com to get an updated list, or call our toll-free numbers **800 690-6990** or **800 0187-8737** to get information about the nearest Service Center.

- AGUASCALIENTES** **DE TODO PARA LA CONSTRUCCIÓN**
GRAL. BARRAGÁN #1201, COL. GREMIAL, C.P. 20030,
AGUASCALIENTES, AGS. TEL.: 449 994 0537
- BAJA CALIFORNIA** **SUCURSAL TIJUANA**
AV. LA ENCANTADA, LOTE #5, PARQUE INDUSTRIAL EL
FLORIDO II, C.P. 22244, TIJUANA, B.C.
TEL.: 664 969 5100
- BAJA CALIFORNIA SUR** **FIX FERRETERÍAS**
FELIPE ANGELES ESQ. RUIZ CORTÍNEZ S/N, COL. PUEBLO
NUEVO, C.P. 23670, CD. CONSTITUCIÓN, B.C.S.
TEL.: 615 132 1115
- CAMPECHE** **TORNILLERÍA Y FERRETERÍA AAA**
AV. ÁLVARO OBREGÓN #324, COL. ESPERANZA
C.P. 24080 CAMPECHE, CAMP. TEL.: 981 815 2808
- CHIAPAS** **FIX FERRETERÍAS**
AV. CENTRAL SUR #27, COL. CENTRO, C.P. 30700,
TAPACHULA, CHIS. TEL.: 962 118 4083
- CHIHUAHUA** **SUCURSAL CHIHUAHUA**
AV. SILVESTRE TERRAZAS #128-11, PARQUE INDUSTRIAL
BAFAR, CARRETERA MÉXICO CUAUHTÉMOC, C.P. 31415,
CHIHUAHUA, CHIH. TEL. 614 434 0052
- MEXICO CITY** **FIX FERRETERÍAS**
EL MONSTRUO DE CORREGIDORA, CORREGIDORA # 22,
COL. CENTRO, C.P. 06060, CUAUHTÉMOC, CDMX.
TEL.: 55 5522 5051 / 5522 4861
- COAHUILA** **SUCURSAL TORREÓN**
CALLE METAL MECÁNICA #280, PARQUE INDUSTRIAL
ORIENTE, C.P. 27278, TORREÓN, COAH.
TEL.: 871 209 68 23
- COLIMA** **BOMBAS Y MOTORES BYMTESA DE MANZANILLO**
BLVD. MIGUEL DE LA MADRID #190, COL. 16 DE
SEPTIEMBRE, C.P. 28239, MANZANILLO, COL.
TEL.: 314 352 1986 / 352 8013
- DURANGO** **TORNILLOS ÁGUILA, S.A. DE C.V.**
MAZURIO #200, COL. LUIS ECHEVERRÍA, DURANGO,
DGO. TEL.: 618 817 1946 / 618 818 2844
- ESTADO DE MÉXICO** **SUCURSAL CENTRO JILOTEPEC**
AV. PARQUE INDUSTRIAL #1-A, C.P. 54240, JILOTEPEC,
EDO. DE MÉX. TEL.: 761 782 9101 EXT. 5728 Y 5102
- GUANAJUATO** **ÍA. FERRETERA NUEVO MUNDO S.A. DE C.V.**
AV. MÉXICO - JAPÓN #225, CD. INDUSTRIAL, C.P. 38010,
CELAYA, GTO. TEL.: 461 617 7578 / 79 / 80 / 88
- GUERRERO** **CENTRO DE SERVICIO ECLIPSE**
CALLE PRINCIPAL MZ 1 LT. 1, COL. SANTA FE, C.P. 39010,
CHILPANCIINGO, GRO. TEL.: 747 478 5793
- HIDALGO** **FERREPRECIOS S.A. DE C.V.**
LIBERTAD ORIENTE #304 LOCAL 30, INTERIOR DE PASAJE
ROBLEDO, COL. CENTRO, C.P. 43600, TULANCINGO,
HGO. TEL.: 775 753 6615 / 775 753 6616
- JALISCO** **SUCURSAL GUADALAJARA**
AV. ADOLFO B. HORN # 6800, COL: SANTA CRUZ DEL
VALLE, C.P.: 45655, TLAJOMULCO DE ZUÑIGA, JAL.
TEL.: 35 3606 5285 AL 90
- MICHOACÁN** **FIX FERRETERÍAS**
AV. PASEO DE LA REPÚBLICA #3140-A, COL.
EX-HACIENDA DE LA HUERTA, C.P. 58050, MORELIA,
MICH. TEL.: 443 354 6858
- MORELOS** **FIX FERRETERÍAS**
CAPITÁN ANZURES #95, ESQ. JOSÉ PERDIZ, COL.
CENTRO, C.P. 62740, CUAUTLA, MOR.
TEL.: 735 352 8931
- NAYARIT** **HERRAMIENTAS DE TEPIC**
MAZATLAN #117, COL. CENTRO, C.P. 63000, TEPIC, NAY.
TEL.: 311 258 0540
- NUEVO LEÓN** **SUCURSAL MONTERREY**
CARRETERA LAREDO #300, 1B MONTERREY PARKS,
COLONIA PUERTA DE ANÁHUAC, C.P. 66052, ESCOBEDO,
NUEVO LEÓN, TEL.: 81 8352 8791 / 81 8352 8790
- OAXACA** **FIX FERRETERÍAS**
AV. 20 DE NOVIEMBRE #910, COL. CENTRO, C.P. 68300,
TUXTEPEC, OAX. TEL.: 287 106 3092
- PUEBLA** **SUCURSAL PUEBLA**
AV. PERIFÉRICO #2-A, SAN LORENZO ALMECATLA,
C.P. 72710, CUAUHTLACINGO, PUE.
TEL.: 222 282 8282 / 84 / 85 / 86
- QUERÉTARO** **ARU HERRAMIENTAS S.A. DE C.V.**
AV. PUERTO DE VERACRUZ #110, COL. RANCHO DE
ENMEDIO, C.P. 76842, SAN JUAN DEL RIO, QRO.
TEL.: 427 268 4544
- QUINTANA ROO** **FIX FERRETERÍAS**
CARRETERA FEDERAL MZ. 46 LT. 3 LOCAL 2, COL. EJIDAL,
C.P. 77710 PLAYA DEL CARMEN, Q.R.
TEL.: 984 267 5140
- SAN LUIS POTOSÍ** **FIX FERRETERÍAS**
AV. UNIVERSIDAD #1850, COL. EL PASEO, C.P. 78320,
SAN LUIS POTOSÍ, S.L.P. TEL.: 444 822 4341
- SINALOA** **SUCURSAL CULIACÁN**
AV. JESÚS KUMATE SUR #4301, COL. HACIENDA DE LA
MORA, C.P. 80143, CULIACÁN, SIN.
TEL.: 667 173 9159 / 173 8400
- SONORA** **FIX FERRETERÍAS**
CALLE 5 DE FEBRERO #517, SUR LT. 25 MZ. 10, COL.
CENTRO, C.P. 85000, CD. OBREGÓN, SON.
TEL.: 644 413 2392
- TABASCO** **SUCURSAL VILLAHERMOSA**
CALLE HELIO LOTES 1, 2 Y 3 MZ. #1, COL. INDUSTRIAL,
2A ETAPA, C.P. 86010, VILLAHERMOSA, TAB.
TEL.: 993 553 7244
- TAMAULIPAS** **VM ORINGS Y REFACCIONES**
CALLE ROSITA #527 ENTRE 20 DE NOVIEMBRE Y GRAL.
RODRIGUEZ, FRACC. REYNOSA, C.P. 88780, REYNOSA,
TAMS. TEL.: 899 926 7552
- TLAXCALA** **SERVICIOS Y HERRAMIENTAS INDUSTRIALES**
PABLO SIDAR #152, COL. BARRIO DE SAN BARTOLOMÉ,
C.P. 90970, SAN PABLO DEL MONTE, TLAX.
TEL.: 222 211 7502
- VERACRUZ** **LA CASA DISTRIBUIDORA TRUPER**
BLVD. PRIMAVERA. ESQ. HORTENSIA S/N, COL.
PRIMAVERA C.P. 93508, POZA RICA, VER.
TEL.: 782 823 8100 / 826 8484
- YUCATÁN** **SUCURSAL MÉRIDA**
CALLE 33 #600 Y 602, LOCALIDAD ITZINCAB Y Mulsay,
MPIO. UMAN, C.P. 97390, MÉRIDA, YUC.
TEL.: 999 912 2451

Code	Model	Brand
19368	TPN-788RX	 TRUPER®

This product is guaranteed for 2 years. To make the warranty valid or purchase parts and components you must present the product in Corregidora 22, Col. Centro, Alc. Cuauhtémoc, CDMX C.P. 06060 or at the establishment where you purchased it, or at any Truper® Service Center listed in the annex to the warranty policy and/or in www.truper.com. Transportation costs resulting from compliance of this warranty will be covered by  **TRUPER®**

For questions or comments, call **800-690-6990**. Made in China. Imported by Truper S.A. de C.V. Parque Industrial 1, Jilotepec, Edo. de Méx. C.P. 54240

Stamp of the business. Delivery date:



2
AÑOS

Sello del establecimiento comercial. Fecha de entrega:

Este producto está garantizado por 2 años. Para hacer válida la garantía o adquirir piezas y componentes deberá presentar el producto en Corregidora 22, Col. Centro, Alc. Cuauhtémoc, CDMX C.P. 06060 o en el establecimiento donde lo compró, o en algún Centro de Servicio Truper® de los enlistados en el anexo de la póliza de garantía y/o en www.truper.com. Los gastos de transportación que resulten para su cumplimiento serán cubiertos por **TRUPER**.

Para dudas o comentarios, llame al **800-690-6990**. Hecho en China. Importado por Truper S.A. de C.V. Parque Industrial 1, Jilotepec, Edo. de Méx. C.P. 54240


TRUPER

TPN-788RX

19368

Marca

Modelo

Código

**Póliza de
Garantía**

TRUPER

En caso de tener algún problema para contactar un Centro de Servicio Autorizado Truper® consulte nuestra página www.truper.com donde obtendrá un listado actualizado, o llame al: 800 690-6990 ó 800 0187-8737 donde le informarán cuál es el Centro de Servicio más cercano.

- AGUASCALIENTES**
DE TODO PARA LA CONSTRUCCION
 GRAL. BARRAGÓN #1201, COL. GRENAL, C.P. 20050, AGUASCALIENTES, AGS. TEL.: 499 944 0557
- BAJA CALIFORNIA**
SUCURSAL TIJUANA
 AV. LA ENCANTADA, LOTE #5, PARQUE INDUSTRIAL EL FLORIDO II, C.P. 22244, TIJUANA, B.C. TEL.: 664 969 5100
- BAJA CALIFORNIA SUR**
FIX FERRETERIAS
 FIFEJF ANGELES ESQ. RUIZ CORTINEZ S/N, COL. PUEBLO NUEVO, C.P. 25670, CD. CONSTITUCIÓN, B.C.S. TEL.: 619 152 1115
- CAMPECHE**
TORNILLERIA Y FERRERIA AAA
 AV. ALVARO ORRIBERRON #524, COL. ESPERANZA C.P. 24080 CAMPECHE, CAMP. TEL.: 981 815 2808
- CHIHUAHA**
FIX FERRETERIAS
 TAPACHULA, CHIS. TEL.: 962 118 4085
- CHIHUAHUA**
SUCURSAL CHIHUAHUA
 AV. SILVESTRE TERREZAS #128-11, PARQUE INDUSTRIAL BAHAR, CARRETERA MEXICO CUAHUATEMOC, C.P. 31415, CHIHUAHUA, CHIH. TEL.: 614 454 0052
- CUIDAD DE MEXICO**
FIX FERRETERIAS
 EL MONSTRUO DE CORREJIDORA, CORREJIDORA # 22, COL. CENTRO, C.P. 06060, CUAHUATEMOC, CDMX. TEL.: 55 5522 5051 / 5522 4861
- COAHUILA**
SUCURSAL TORREON
 CALLE METAL MECANICA #380, PARQUE INDUSTRIAL ORIENTE, C.P. 27272, TORREON, COAH. TEL.: 871 209 68 25
- COLIMA**
BOMBAS Y MOTORES BVMESA DE MANZANILLO
 BLD. MIGUEL DE LA MADRID #190, COL. 16 DE SEPTIEMBRE, C.P. 28259, MANZANILLO, COL. TEL.: 514 352 1966 / 352 8015
- DURANGO**
TORNILLAS AGUILA, S.A. DE C.V.
 DGO. TEL.: 618 817 1946 / 618 818 2844
- ESTADO DE MEXICO**
SUCURSAL CENTRO ILOTEPEC
 AV. PARQUE INDUSTRIAL #1-A, C.P. 54240, ILOTEPEC, EDO. DE MEX. TEL.: 761 982 9102 EXT. 5728 Y 5102
- GUANAJUATO**
CA. FERRERIA NUEVO MUNDO S.A. DE C.V.
 AV. MEXICO - JAPON #225, CD. INDUSTRIAL, C.P. 38010, CELAYA, GTO. TEL.: 461 617 7578 / 79 / 80 / 88
- QUERETERO**
CENTRO DE SERVICIO ECLIPSE
 CALLE PRINCIPAL MZ1 IT. 1, COL. SANTA FE, C.P. 39010, CHILPANCIIGO, GRO. TEL.: 747 478 5793
- HIDALGO**
FERRERECIOS S.A. DE C.V.
 LIBERTAD ORIENTE #504 LOCAL 30, INTERIOR DE PASAJE ROBELO, COL. CENTRO, C.P. 45600, TULANCINGO, HGO. TEL.: 775 753 6615 / 775 753 6616
- JALISCO**
SUCURSAL GUADALAJARA
 AV. ADOLEF. B. HORN # 6890, COL. SANTA CRUZ DEL VALLE, C.P.: 45653, TLAJOMULCO DE ZUNIGA, JAL. TEL.: 33 5606 5285 AL 90
- MICHOCAN**
FIX FERRETERIAS
 EX-HACIENDA DE LA HUERTIA #3140-A, COL. PASO DE LA REPUBLICA #3140-A, COL. MICH. TEL.: 443 534 6858

- MORELOS**
FIX FERRETERIAS
 CAPITAN ANZURES #95, ESQ. JOSÉ PERDIZ, COL. CENTRO, C.P. 62740, CUAUTLA, MOR. TEL.: 735 352 8931
- NAVARIT**
HERRAMIENTAS DE TEPIC
 MZLAN #117, COL. CENTRO, C.P. 65000, TEPIC, NAY. TEL.: 511 258 0540
- NUevo LEÓN**
SUCURSAL MONTERREY
 CARRETERA LIBREDO #500, 1B MONTERREY PARKS, COLONIA PUERTA DE ANAHUAC, C.P. 66052, ESCOBEDO, NUEVO LEÓN, TEL.: 81 8352 8791 / 81 8352 8790
- OAXACA**
FIX FERRETERIAS
 AV. 20 DE NOVIEMBRE #910, COL. CENTRO, C.P. 68300, TUXTEPEC, OAX. TEL.: 287 106 5092
- PUEBLA**
SUCURSAL PUEBLA
 AV. PERIFERICO #2-A, SAN LORENZO ALMECATLA, C.P. 72710, CUAUTLACINGO, PUE. TEL.: 222 282 8282 / 84 / 85 / 86
- QUERÉTARO**
ARU HERRAMIENTAS S.A. DE C.V.
 AV. PUERTO DE VERACRUZ #110, COL. RANCHO DE ENMEDIO, C.P. 76842, SAN JUAN DEL RIO, QRO. TEL.: 427 268 4544
- QUINTANA ROO**
FIX FERRETERIAS
 CARRETERA FEDERAL MZ. 46 IT. 3 LOCAL 2, COL. EIDAL, C.P. 77110 PLANA DEL CARMEN, Q.R. TEL.: 984 267 5140
- SAN LUIS POTOSI**
FIX FERRETERIAS
 AV. UNIVERSIDAD #1850, COL. EL PASO, C.P. 78320, SAN LUIS POTOSI, S.L.P. TEL.: 444 822 4541
- SINALOA**
SUCURSAL CUICACAN
 AV. JESUS UMANTE SUR #450, COL. HACIENDA DE LA MORA, C.P. 80145, CUICACAN, SIN. TEL.: 667 173 9159 / 173 8400
- SONORA**
FIX FERRETERIAS
 CALLE 5 DE FEBRERO #517, SUR IT. 25 MZ. 10, COL. CENTRO, C.P. 85000, CD. OBREGON, SON. TEL.: 644 413 2392
- TABASCO**
SUCURSAL VILLAHERMOSA
 CALLE HELIO LOTES 1, 2 Y 3 MZ. #1, COL. INDUSTRIAL, ZA ETAPA, C.P. 86010, VILLAHERMOSA, TAB. TEL.: 993 553 7244
- TAMAULIPAS**
WH ORINOS Y REACCIONES
 CALLE ROSITA #527 ENTRE 20 DE NOVIEMBRE Y GRAL. RODRIGUEZ, FRACC. REVINOSA, C.P. 88780, REVINOSA, TAM. TEL.: 899 926 7552
- TLAXCALA**
SERVICIOS Y HERRAMIENTAS INDUSTRIALES
 PABLO SIDAR #132, COL. BARRIO DE SAN BARTOLOME, SAN PABLO DEL MONTE, TLAX. TEL.: 222 271 7502
- VERACRUZ**
LA CASA DISTRIBUIDORA TRUPER
 BLD. PANAMERICA ESQ. PORTENSIA S/N, COL. PRIMAVERA, C.P. 93508, FOZTA RICA, VER. TEL.: 782 823 8100 / 826 8484
- YUCATÁN**
SUCURSAL MÉRIDA
 CALLE 53 #600 Y 602, LOCALIDAD ITZINCAR Y MURSA, MPIO. UMAN, C.P. 97390, MÉRIDA, YUC. TEL.: 999 912 2451

Encendido

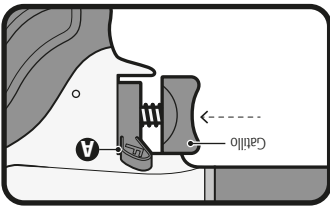
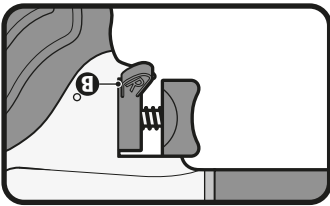
- Encienda el compresor de aire y permita que se llene.
- Regule la presión de salida del compresor de aire a 621 kPa - 793 kPa (90 - 115 PSI).
- ⚠ **ADVERTENCIA** La herramienta opera a este rango de presión, de operarse a rangos mayores de presión la vida útil de la herramienta será menor.
- Presione el gatillo para que el broquero comience a girar.
- Suelte el gatillo para que el broquero se detenga.

Dirección de rotación

- Para que la broca gire hacia adelante y pueda taladrar, mueva el selector de giro hacia arriba a la posición "F" de Forward (adelante).
- Para que gire en reversa, mueva el selector de giro hacia abajo a la posición "R" de Reversa (B).

Operación

- Ubique el punto a taladrar y márquelo con ayuda de un punzón para darle un mejor apoyo a la broca.
- Coloque la broca en la marca que realizó con el punzón y presione el gatillo. No haga contacto con el punto a taladrar con la broca en movimiento. No apriete el gatillo a menos que la herramienta se encuentre en contacto con la pieza de trabajo.
- Aplique una presión firme y constante durante el taladrado sin forzar la herramienta, de lo contrario podría dañarla.
- En caso de realizar perforaciones profundas saque la broca del orificio regularmente para retirar los residuos.

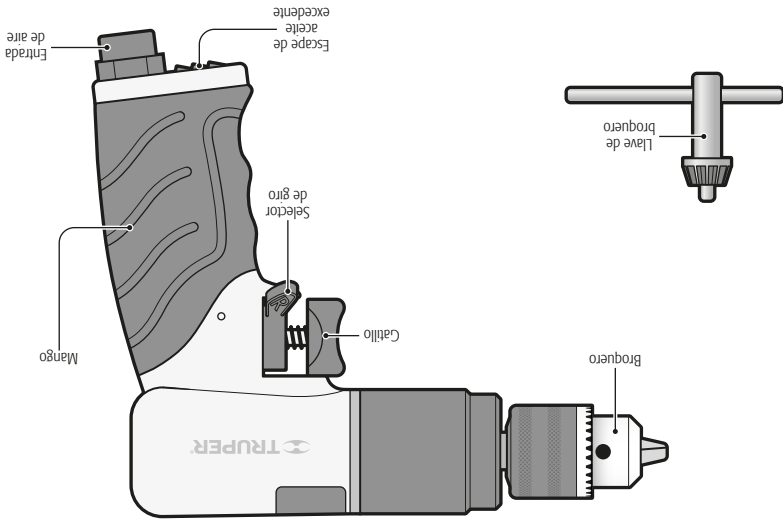


Lubricación

- Las herramientas neumáticas requieren lubricación constante a lo largo de su vida útil y durante su operación. El aire comprimido que necesita la herramienta para funcionar contiene humedad que puede oxidar el motor y los baleros de la herramienta.
- Para evitar esta posibilidad es necesario administrar constantemente aceite lubricante por medio del sistema de filtro-aceitera centralizado **UNIL-1/4** marca **TRUPER**, instalado entre el compresor de aire y la herramienta.
- ⚠ **ADVERTENCIA** • Cualquier exceso de aceite en el motor es expulsado de inmediato por el escape de aceite excedente. Mantenga siempre el escape libre de cualquier obstrucción y nunca lo apunte hacia personas u objetos.
- Si no va a utilizar la herramienta por un periodo largo, deberá lubricarse con mucho cuidado.

Servicio

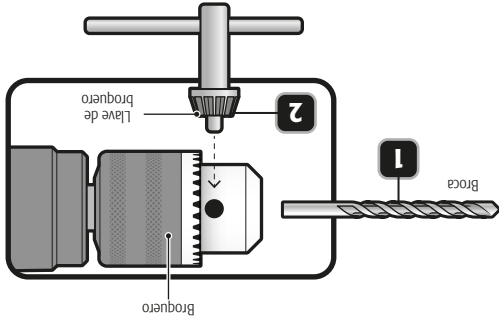
- Después de cada 60 horas de operación el mecanismo de la herramienta se deberá engrasar un poco. El exceso de grasa puede disminuir la potencia.
- El servicio de las herramientas debe ser realizado cada 3 meses únicamente en un Centro de Servicio Autorizado **TRUPER**. El servicio y mantenimiento realizado por personas no calificadas puede resultar peligroso y llegar a ocasionar daños personales además de invalidar la garantía del producto.
- Las fallas en la herramienta causadas por la falta de lubricación disfuncionada, por el incumplimiento de este instructivo o por reparaciones realizadas por personal no certificado por **TRUPER**, no serán cubiertas por la garantía. Nos reservamos el derecho a realizar mejoras técnicas sin previo aviso.



Ensamble

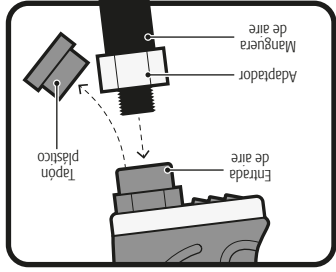
Instalación de la broca

- Introduzca la broca dentro del broquero hasta que tope y asegúrela con la llave de broquero apretando el broquero en cada uno de los orificios alternadamente.



Conexión de la toma de aire

- Retire el tapón plástico que cubre la entrada de aire en la base del mango.
- Conecte la manguera de aire a la herramienta por medio de un adaptador (no incluido), atomillando el adaptador a la entrada de aire de la herramienta.
- En caso de trabajar con distintas herramientas neumáticas y un sólo compresor, se recomienda el uso de un cople rápido (no incluido) junto con el adaptador, para conectar y desconectar rápidamente las herramientas e intercambiarlas fácilmente.



Control de riesgos al usar herramientas neumáticas

Para prevenir lesiones



Riesgo de lesiones

⚠ ADVERTENCIA • Las mangueras dañadas pueden estallar y provocar lesiones serias o sordera.

- No maltrate la manguera ni los conectores.
- Mantenga la manguera alejada de superficies afiladas o abrasivas.
- Desconecte la manguera cuando instale accesorios como discos de esmeril o brocas.
- Nunca use la manguera para cargar la herramienta.
- Nunca jale de la manguera para desconectarla.
- No exponga la manguera al calor, aceite o solventes.
- Antes de operar la herramienta, verifique que las mangueras no estén dañadas.

- Desconecte la manguera de aire cuando la herramienta no esté en uso y almacene la herramienta en un lugar seguro fuera del alcance de niños o personal no calificado. Mantenga a los niños y al personal no calificado lejos del área de trabajo.

- Mantenga el área de trabajo limpia, ordenada y bien iluminada.
- Retire cualquier llave o pinza de la herramienta antes de operarla.

- No use boquillas de inflado para limpiar o sopletear.

- Utilice sólo partes, abrazaderas, y accesorios recomendados por **TRUPER**.

- Usar boquillas de inflado para limpiar o sopletear puede producir lesiones serias.
- Herramientas o accesorios no adecuados, dañados o de baja calidad como discos de esmeril, cincelos, contactos, taladros, clavadoras, engrapadoras, etc., pueden dispararse durante la operación, proyectando partículas que pueden causar serias lesiones.

- Las abrazaderas pueden soltarse y ser proyectadas causando lesiones serias o daños a propiedad.

- Nunca cargue la herramienta tomándola por el gallo.
- Desconecte la manguera de aire de la herramienta cuando no la esté utilizando.
- Jamás deje la herramienta conectada a la toma de aire sin atenderla.

- Las herramientas que arrancan accidentalmente pueden provocar lesiones serias.

- Mantenga el mango de la herramienta limpio y seco, libre de aceite y grasa.
- Mantenga las herramientas limpias. Una herramienta bien cuidada y lubricada brinda un funcionamiento mas efectivo y es mas fácil controlarla.
- Cualquier reparación sólo puede ser realizada en un Centro de Servicio Autorizado **TRUPER**.

- Las herramientas y accesorios que no reciben el mantenimiento adecuado pueden provocar lesiones serias.

- Utilice siempre accesorios que correspondan a la velocidad de la herramienta
- Utilice accesorios certificados por **TRUPER**.

- Las herramientas y accesorios dañados o golpeados pueden provocar lesiones serias.

- No utilice herramientas y accesorios dañados o golpeados.

Riesgo de lesión en cabeza y ojos



ADVERTENCIA • El aire comprimido que utilizan los equipos neumáticos puede resultar peligroso. Objetos como borbuzaderas, rebabas, astillas, polvo y otros residuos pueden ser impulsados por el flujo de aire a gran velocidad a la cabeza o a los ojos. El flujo de aire por sí solo puede provocar daño en tejidos blandos como ojos, oídos, etc.

ATENCIÓN • Los aditamentos de la herramienta se pueden aflojar o romperse y proyectar partículas al operador u otras personas en el área de trabajo.

Riesgo de explosión



ADVERTENCIA • El manejo inadecuado de la presión de los equipos neumáticos puede provocar una explosión que ocasione lesiones serias.

- Antes de utilizar la herramienta asegúrese que la fuente de aire comprimido esté regulada a la presión especificada para la herramienta y no rebase ese nivel.
- Nunca conecte la herramienta a una fuente de presión que exceda los 1 380 kPa (200 PSI).

Para prevenir explosión

- Siempre que opere equipo neumático utilice lentes de protección que cumplan con la norma ANSI Z87.1 y como protección adicional utilice una careta.
- Nunca dirija el flujo de aire a personas o animales.
- Desconecte la manguera de aire de la herramienta cuando no la esté utilizando.
- Nunca deje la herramienta conectada a la toma de aire sin atenderla.
- Antes de utilizar la herramienta verifique que todas sus partes y aditamentos estén debidamente asegurados.

Riesgo de pérdida auditiva



ADVERTENCIA • Exponerse al ruido generado por las herramientas neumáticas por largos periodos puede dañar el oído permanentemente provocando pérdida de la audición.

ADVERTENCIA • Las herramientas abrasivas, como esmeriladoras, lijadoras y herramientas de corte generan polvo y partículas que pueden causar daño a los pulmones y el sistema respiratorio.

Algunos materiales como adhesivos y resinas contienen químicos cuyos vapores pueden causar daños serios si se expone a ellos por tiempos prolongados.

Riesgo de inhalación de partículas



- Siempre que opere equipo neumático utilice protección auditiva que cumpla con la norma ANSI S3.19

Para prevenir inhalación de partículas

- Siempre utilice una careta o respirador cuando opere este tipo de herramientas.
- Trabaje siempre en un área limpia y bien ventilada.

Riesgo de choque eléctrico



ADVERTENCIA • Las herramientas neumáticas no cuentan con aislamiento eléctrico. Si durante su operación llegan a hacer contacto con alguna fuente de electricidad, conducirá la energía al operador provocando electrocución incluso fatal.

Para prevenir choque eléctrico

- Nunca utilice herramientas neumáticas para trabajar cableado eléctrico energizado.
- Ubique posible cableado oculto en la zona de trabajo para evitar hacer contacto con el antes de operar la herramienta.
- Evite el contacto con superficies aterrizadas como tuberías, radiadores, o refrigeradores. Existe un mayor riesgo de electrocución si su cuerpo está aterrizado.

Riesgo de daño a la herramienta



ADVERTENCIA • Las herramientas neumáticas que no cuenten con la lubricación adecuada, sean forzadas más allá de su capacidad o que se utilicen para aflojar tuercas oxidadas (con pistolas de impacto) se dañarán, invalidando la garantía.

Para prevenir el daño a la herramienta

- Mantenga la herramienta lubricada debidamente.
- No fuerce la herramienta.
- Aplique líquido "afloja todo" a las tuercas o birlos oxidados antes de intentar aflojarlos con la herramienta (pistola de impacto).

Advertencias de Seguridad para uso de herramientas neumáticas



⚠ ATENCIÓN Iluminada. Aves desordenadas y oscuras pueden provocar accidentes.



⚠ PELIGRO Nunca utilice la herramienta en ambientes explosivos, o en presencia de líquidos inflamables sin ventilación. Las chispas que genera la herramienta podría provocar una explosión o incendio.



⚠ ADVERTENCIA Mantenga a los niños y a otras personas a una distancia segura mientras utiliza la herramienta. Las distracciones pueden hacerle perder el control y provocar accidentes.



⚠ PELIGRO Evite hacer contacto con líneas y circuitos eléctricos.



⚠ ATENCIÓN Este siempre alerta, sea prudente y utilice el sentido común. No deje que la familiaridad con el uso de la herramienta lo distraiga mientras la utiliza. Esto puede provocar accidentes.



⚠ PELIGRO No utilice la herramienta si está cansado, o bajo la influencia de drogas, alcohol o medicamentos. Un momento de distracción mientras utiliza la herramienta puede provocar lesiones personales graves.



⚠ ADVERTENCIA Utilice la herramienta con todas sus piezas en su lugar y en buen estado. De no hacerlo se expone a lesiones personales graves. **⚠ ATENCIÓN** Asegure y apoye adecuadamente la pieza de trabajo. Utilice abrazaderas y una superficie de trabajo estable.



⚠ ATENCIÓN Nunca fuerce la herramienta. Trabajar dentro del rango para el que fue diseñada asegura un mejor trabajo y es más seguro. **⚠ ADVERTENCIA** Guarde la herramienta en un lugar seguro fuera del alcance de los niños. Las herramientas eléctricas son peligrosas en manos inexpertas.



⚠ ADVERTENCIA Utilice la indumentaria adecuada. La ropa suelta, joyas o cabello largo pueden ser atrapados por las piezas móviles.



⚠ ADVERTENCIA Mantenga las manos alejadas de las partes giratorias y/o móviles. De no hacerlo se expone a lesiones personales graves, como cortes, quemaduras o aplastamiento.



⚠ ATENCIÓN Utilice equipo adecuado de protección personal. Utilice protección para los ojos. Mascarella antipolvo.



zapatos de seguridad antideslizantes, casco y protección para los oídos en condiciones adecuadas reducen considerablemente el riesgo de lesiones.

⚠ ADVERTENCIA Desconecte la manguera de aire de la herramienta antes de darle mantenimiento o cambiar sus accesorios. Para evitar incendios accidentales que deriven en accidentes.



⚠ ADVERTENCIA Nunca utilice la herramienta si el interruptor no funciona o no está debidamente ensamblada. De hacerlo se expone a lesiones personales graves, repárela inmediatamente en un Centro de Servicio Autorizado **TRUPER**.



⚠ ATENCIÓN No sobre extienda su campo de acción. Un buen apoyo y equilibrio permiten un mejor control de la herramienta en situaciones inesperadas.



⚠ ADVERTENCIA Nunca tire de la manguera de aire. No la use para cargar la herramienta o desconectarla de la toma de aire. Las mangueras dañadas o entredados pueden reventar y lanzar residuos al operador.



⚠ ADVERTENCIA Evite encendidos accidentales. Asegúrese de que la toma de aire está desconectada antes de lubricar, colocar accesorios o dar mantenimiento a la herramienta.



⚠ PELIGRO Retire cualquier llave de ajuste antes de encender la herramienta. Herramientas adicionales o llaves colocadas en una pieza giratoria de la herramienta puede provocar lesiones personales graves.



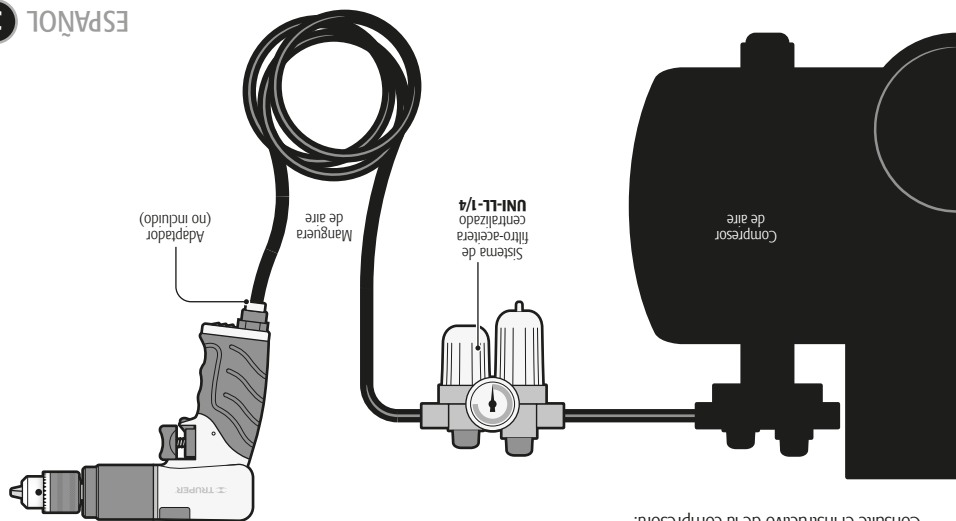
⚠ ATENCIÓN Dele mantenimiento a la herramienta y cerciórese que se encuentra en condiciones óptimas antes de utilizarla. Revise cuidadosamente sus partes móviles, su alineación y montaje. Hágalo periódicamente. Busque cualquier elemento dañado o pieza que no funcione adecuadamente para su inmediata reparación en un Centro de Servicio Autorizado **TRUPER**.



⚠ ATENCIÓN Accesorios. Utilice sólo los accesorios o relaciones indicados en este instructivo o certificados por **TRUPER**.



⚠ ATENCIÓN Nunca deje la herramienta en marcha sin supervisión. Desconecte la herramienta de la toma de aire después de operarla y antes de dejarla para evitar accidentes graves.



⚠ ATENCIÓN El polvo, agua y la falta de aceite específico para herramientas neumáticas son la causa principal de las fallas potenciales de la herramienta. Se recomienda la instalación de un sistema de filtro-aceitera centralizado **UNL-L-1/4** marca **TRUPER**. Este sistema asegura la lubricación reduciendo el consumo de aceite en un 80%, lo que incrementa significativamente la calidad del aire que respira el operador.

- El sistema de filtro-aceitera debe regularse para que administre de 3 a 6 gotas por minuto.
- Drene el agua del tanque del compresor de aire así como la condensación de las mangueras antes de usar la herramienta.

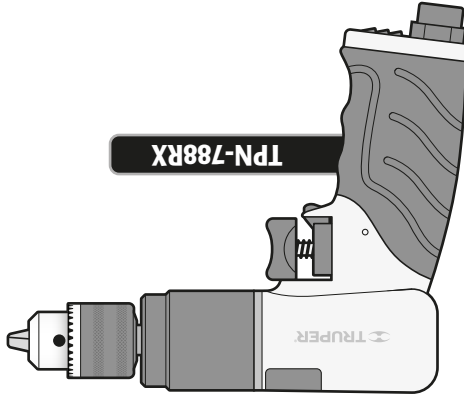
Consulte el instructivo de la compresora.

Requerimientos de filtrado y lubricación

⚠ ATENCIÓN Se debe considerar el aumento en la presión de línea o el diámetro interior de la manguera para compensar el uso de mangueras muy largas (más de 8 metros). El diámetro interior mínimo de la manguera debe ser de 3/8" (9.5 mm) y los conectores deben ser de 1/4 NPT. Use coples y accesorios de buena calidad y del tamaño adecuado.

• Código	19368
• Descripción	Taladro neumático reversible
• Broquero	3/8" (9.5 mm)
• Desalajo de aire	Interior
• Nivel de ruido	83 dB
• Vibración	> 2.5 m/s ²
• Velocidad libre	1 800 r/min
• Peso sin accesorios	1.1 kg (2.42 lb)
• Longitud total	6-7/8" (175 mm)
• Presión de aire	621 kPa (90 PSI)
• Consumo de aire	113 L/min (4 CFM)
• Conexión de entrada de aire	1/4 NPT
• Diámetro mínimo recomendado de la manguera	3/8" (9.5 mm)

TPN-788RX



Los gráficos de este instructivo son para referencia, pueden variar del aspecto real de la herramienta.

Guarde este instructivo para futuras referencias.

Para poder sacar el máximo provecho de la herramienta, alargar su vida útil, hacer válida la garantía en caso de ser necesario y evitar riesgos o lesiones graves, es fundamental leer este instructivo por completo antes de usar la herramienta.

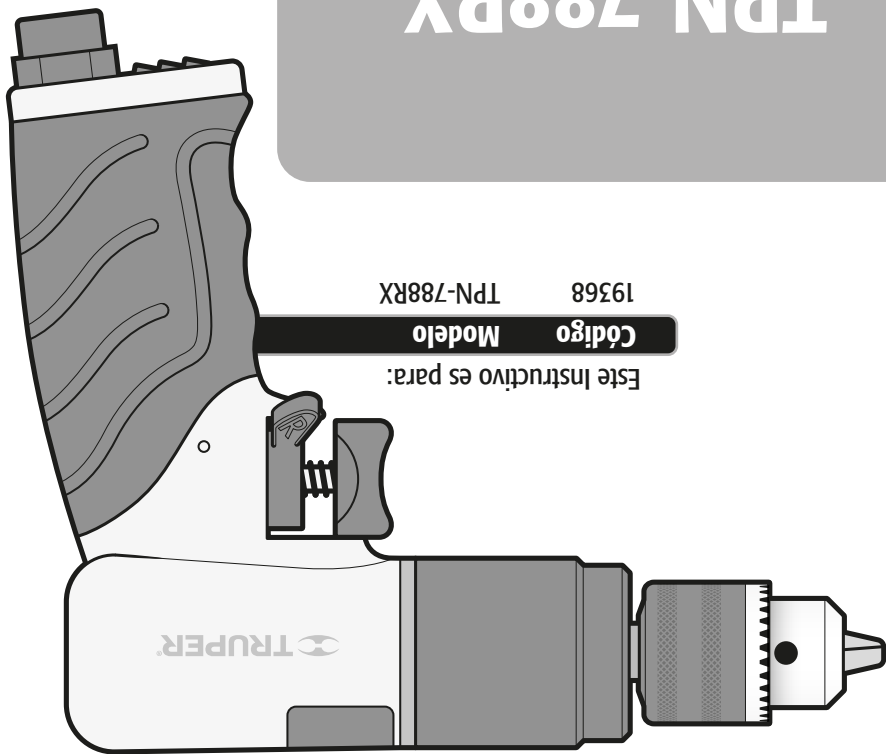
ATENCIÓN

- 3 Especificaciones técnicas
- 3 Requerimientos de filtrado y lubricación
- 4 Advertencias de Seguridad
- 5 Control de riesgos
- 5 al usar herramientas neumáticas
- 7 Partes
- 7 Ensamble
- 8 Puesta en marcha
- 8 Mantenimiento
- 9 Centros de Servicio Autorizados
- 10 Póliza de Garantía

Instructivo de

Taladro neumático reversible

9.5 mm
3/8"
Broquero



Este Instructivo es para:
Código 19368
Modelo TPN-788RX

TPN-788RX

ADVERTENCIA

Utilice aceite de forma continua y dosificada para lubricar la herramienta.



ATENCIÓN

Lea este Instructivo por completo antes de usar la herramienta.

